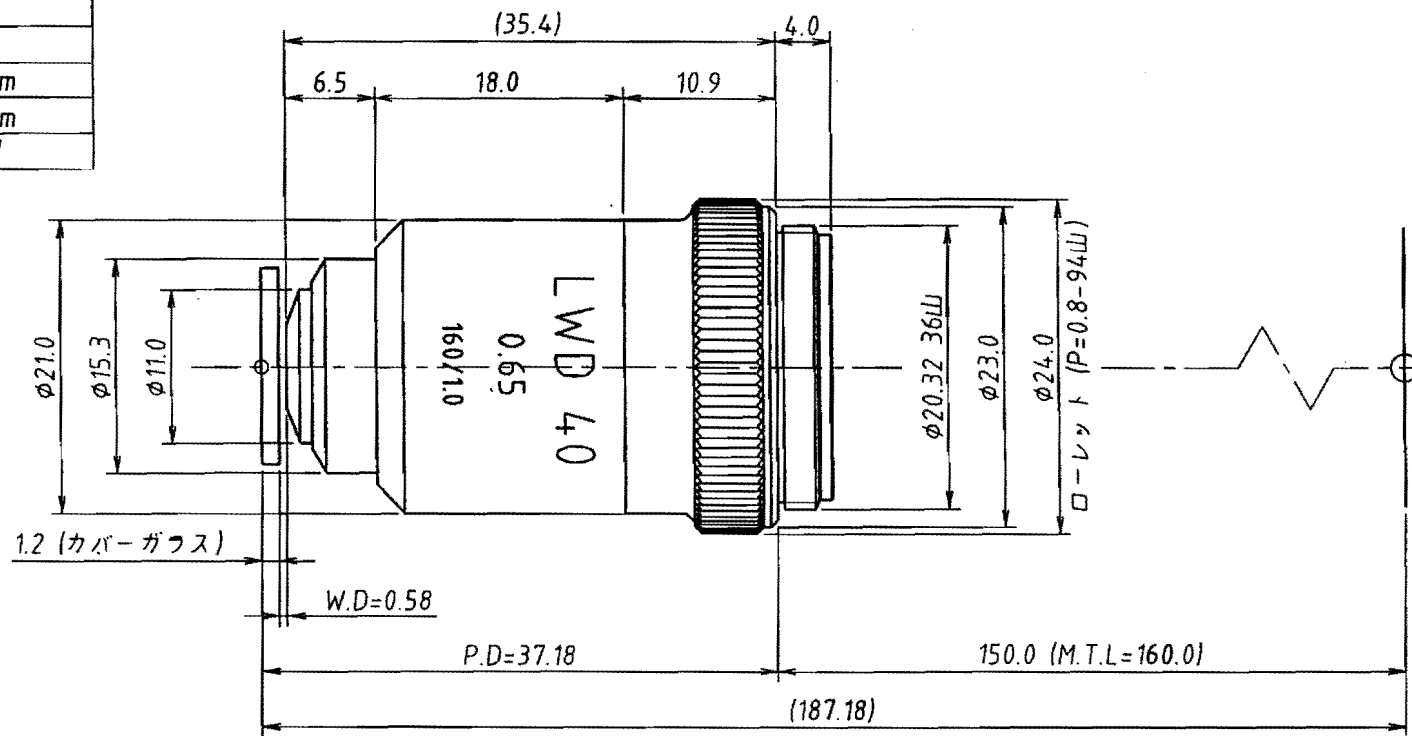


Specification	
Focal length	4.39mm
Working distance	0.58mm
N.A.	0.65
Magnification	-40x
P.D.	37.18mm
M.T.L (機械筒長)	160.0mm
Coating	MgF2



UNIVERSE KOGAKU (AMERICA), INC.  
 116 Audrey Avenue, Oyster Bay, New York 11771  
 Phone: (516) 624-2444/Fax: (516) 624-3109

④		TITLE	40X MICROSCOPE OBJECTIVE LONG WORKING DISTANCE MODEL
③		P/NO.	MO-0040LWD
②		Mfg. NO.	
①			
	08/04/08		
		SHEET 1 OF 1	REV A